



BIOKÉ
sharing knowledge

Plesmanlaan 1d
2333 BZ Leiden
The Netherlands
T. +31 (0)71 568 10 00
T. Belgium: 0800 71640
F. +31 (0)71 568 10 10
info@bioke.com
www.bioke.com

Processing of 8-well strips under vacuum

User manual

Starter Set A

October 2003/Rev. 01

MACHERY-NAGEL



Table of contents

1	Kit contents	4
2	Product description	4
3	Handling	4
5	Appendix	7
5.1	Troubleshooting	7
5.2	Ordering information	7
5.3	Product Use Restriction / Warranty	8

1 Kit contents

	Starter Set A
Cat. No.	740 682
Column Holder A	2
Dummy Strips	12
Protocol	1

2 Product description

The Starter Set A is designed for the manual use of the NucleoSpin® 8-well strips on the NucleoVac 96 (Cat. No. 740681) or the Qiagen QiaVac 96, or for automation of the strips on common liquid handling instruments equipped with a standard 96-well plate vacuum chamber.

The set contains two Column Holders A to hold the NucleoSpin® 8-well strips and Dummy Strips to close the unused rows of the Column Holder A.

It allows flexible processing of the NucleoSpin® 8 kits by using one to six strips per run.

3 Handling

The desired number of 8-well strips is placed in the Column Holder A. Make sure that the 8-well strips are in the right orientation and attach to the Column Holder with a click. Unused rows of the Column Holder are closed with Dummy Strips. The Column Holder is then inserted into the lid of the NucleoVac 96 (Figure A).

If using a kit with filter and binding strips (e.g. NucleoSpin® Multi-8 Plus Plasmid), the binding strips are inserted in one of the Column Holders. Empty rows are filled with MN Dummy Strips. The Column Holder is then rested onto the spacers “MTP/Multi-96 Plate” inserted into the manifold base. The second Column Holder is loaded with the filter strips and inserted into the manifold lid. The manifold is then assembled (Figure B). After filtration, the lower column holder is transferred to the manifold lid for binding.

Figure A: NucleoSpin® 8 kits with binding strips only

Column Holder A,
with NucleoSpin® Binding Strips inserted.
Unused rows have to be filled with
Dummy Strips

Manifold lid

MN Wash Plate

Elution Plate

Manifold base,
with spacers „MTP/Multi-96 Plate“ inserted.
Optionally, elution can be performed into MN
Tube Strips. Insert the appropriate spacers.

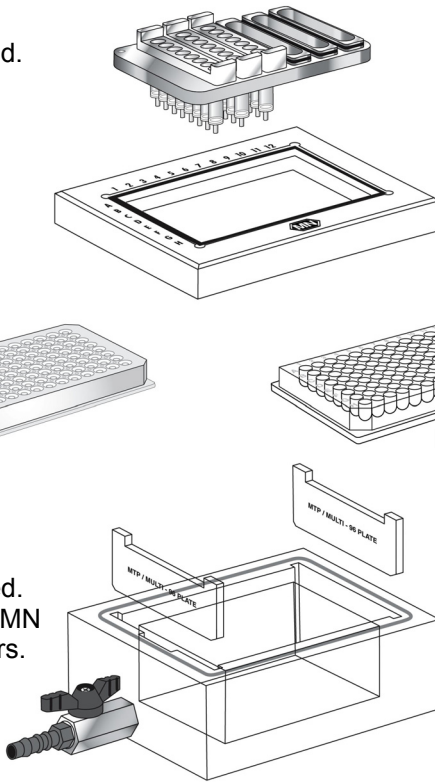


Figure B: NucleoSpin® 8 kits with filter and binding strips

Filtration

Binding/Washing/Elution

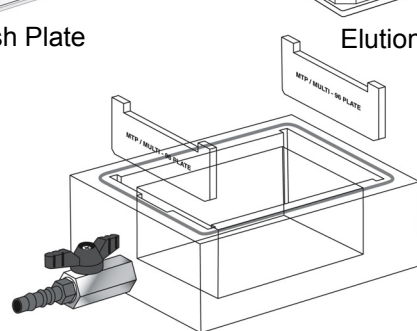
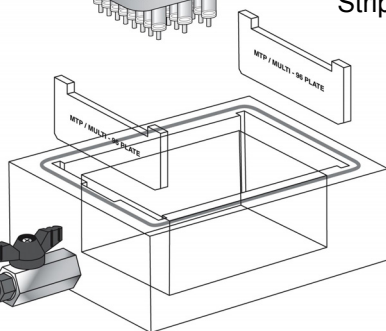
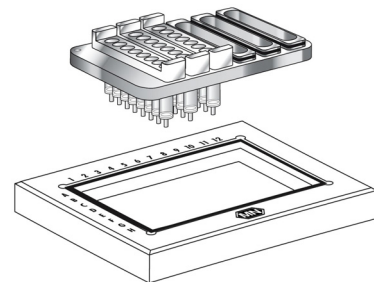
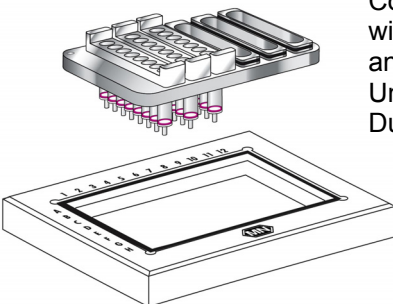
Column Holder A,
with NucleoSpin® Filter Strips (left)
and Binding Strips (right) inserted.
Unused rows have to be filled with
Dummy Strips

Manifold lid

Column Holder A,
with NucleoSpin® Binding
Strips inserted.

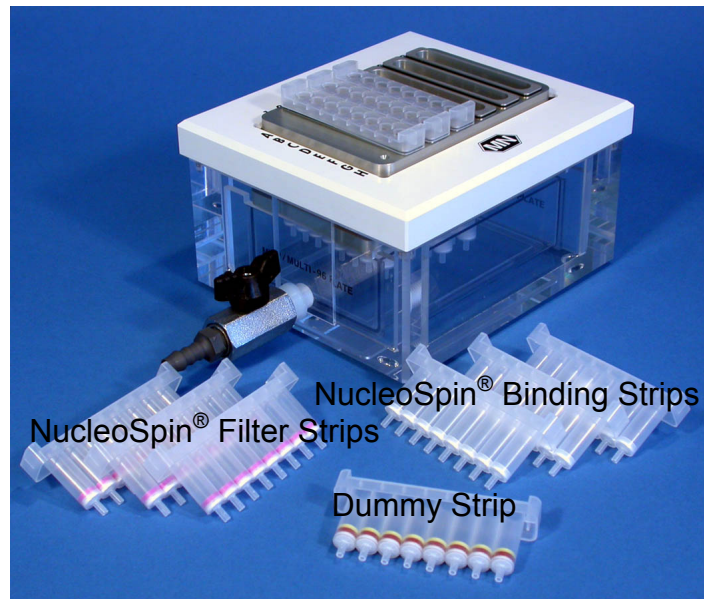
MN Wash Plate

Elution Plate



Manifold base,
with spacers „MTP/Multi-96 Plate“ inserted.

Manifold base, with spacers „MTP/Multi-96 Plate“ inserted.
Optionally, elution can be performed into MN
Tube Strips. Insert the appropriate spacers.



NucleoSpin® 8-well strips inserted in Column Holder A on top of NucleoVac 96. Unused wells have to be filled with Dummy Strips



Column Holder A (note top left mark for orientation)

5 Appendix

5.1 Troubleshooting

Problem	Possible cause and suggestions
Vacuum not sufficient	<p><i>Strips not inserted properly</i></p> <ul style="list-style-type: none"> • Make sure that the strips are properly attached to the Column Holder and that the small gaskets sealing the strips are clean and intact.
	<p><i>Column Holder not inserted properly.</i></p> <ul style="list-style-type: none"> • Check gasket of the vacuum chamber and clean if necessary. Insert the Column Holder properly.

5.2 Ordering information

Product	Cat. No.	Pack of
Starter Set A For use of the NucleoSpin® 8 Kits on the NucleoVac 96 or other 96-well plate manifolds	740 682	1 Set
Starter Set B For use of the NucleoSpin® 8 Kits on the Qiagen BioRobots®	740 683	1 Set
Starter Set C For use of the NucleoSpin® 8 Kits under centrifugation	740 684	1 Set
MN Square-well Blocks	740 678	20
Dummy Strips	740 685	6
MN Wash Plate	740 675	20
Self-adhering PE Foil	740 676	50
NucleoVac 96 Vacuum Manifold	740 681	1
Vacuum Regulator	740 641	1

Product	Cat. No.	Pack of
Rubber Pad	740 640	2
NucleoSwing Z 513	740 610	1
NucleoSwing Z 513 K (refrigerated)	740 610 K	1

5.3 Product Use Restriction / Warranty

Starter Set A components were developed, designed and sold **for research purposes only**. They are suitable **for in vitro uses only**. Furthermore is no claim or representation intended for its use to identify any specific organism or for clinical use (diagnostic, prognostic, therapeutic, or blood banking).

It is rather in the responsibility of the user to verify the use of the **Starter Set A** for a specific application range as the performance characteristic of this kit has not been verified to a specific organism.

This MACHEREY-NAGEL product is shipped with documentation stating specifications and other technical information. MACHEREY-NAGEL guarantees to meet the stated specifications. MACHEREY-NAGEL's sole obligation and the customer's sole remedy is limited to replacement of products free of charge in the event products fail to perform as warranted. Supplementary reference is made to the general business terms and conditions of MACHEREY-NAGEL, which are printed on the price list. Please contact us if you wish an extra copy.

MACHEREY-NAGEL does not warrant against damages or defects arising in shipping and handling (transport insurance for customers excluded), or out of accident or improper or abnormal use of this product; against defects in products or components not manufactured by MACHEREY-NAGEL, or against damages resulting from such non-MACHEREY-NAGEL components or products.

MACHEREY-NAGEL makes no other warranty of any kind whatsoever, and SPECIFICALLY DISCLAIMS AND EXCLUDES ALL OTHER WARRANTIES OF ANY KIND OR NATURE WHATSOEVER, DIRECTLY OR INDIRECTLY, EXPRESS OR IMPLIED, INCLUDING, WITHOUT LIMITATION, AS TO THE SUITABILITY, PRODUCTIVITY, DURABILITY, FITNESS FOR A PARTICULAR PURPOSE OR USE, MERCHANTABILITY, CONDITION, OR ANY OTHER MATTER WITH RESPECT TO MACHEREY-NAGEL PRODUCTS.

In no event shall MACHEREY-NAGEL be liable for claims for any other damages, whether direct, incidental, foreseeable, consequential, or special (including but not limited to loss of use, revenue or profit), whether based upon warranty, contract, tort (including negligence) or strict liability arising in connection with the sale or the failure of MACHEREY-NAGEL products to perform in accordance with the stated specifications.

The warranty provided herein and the data, specifications and descriptions of this MACHEREY-NAGEL product appearing in MACHEREY-NAGEL published catalogues and product literature are MACHEREY-NAGEL's sole representations concerning the product and warranty. No other statements or representations, written or oral, by MACHEREY-NAGEL's employees, agent or representatives, except written statements signed by a duly authorized officer of MACHEREY-NAGEL are authorized; they should not be relied upon by the customer and are not a part of the contract of sale or of this warranty.

Product claims are subject to change. Therefore please contact our Technical Service Team for the most up-to-date information on MACHEREY-NAGEL products. You may also contact your local distributor for general scientific information. Applications mentioned in MACHEREY-NAGEL literature are provided for informational purposes only. MACHEREY-NAGEL does not warrant that all applications have been tested in MACHEREY-NAGEL laboratories using MACHEREY-NAGEL products. MACHEREY-NAGEL does not warrant the correctness of any of those applications.

Please contact:

MACHEREY-NAGEL Germany
Tel.: +49-2421/969 270 and 275
e-mail: TECH-BIO@mn-net.com

BioRobot[®] is a registered trademark of Qiagen

All used names and denotations can be brands, trademarks or registered labels of their respective owner – also if they are not special denotation. To mention products and brands is only a kind of information, i.e. it does not offend against trademarks and brands and can not be seen as a kind of recommendation or assessment. Regarding these products or services we can not grant any guarantees regarding selection, efficiency or operation.